

# Multisensor Air

BT IPD - surface  
 EAN 4007841 084257  
 Article number 084257



air humidity



air pressure



brightness



CO2



Temperatur



VOC



noise level



connectable via  
 bluetooth

5 years

manufacturer's  
 warranty steinel-  
 professional.de/  
 garantie



CE

## Function description

Highly concentrated on healthy indoor climate. The True Presence® product family sets new standards. Completing it are sensors that simply and reliably feed additional information into the system. The Multisensor Air specialises in air, brightness and temperature measurements. Without True Presence® detection, but with the same exceptional design, it fits seamlessly into the modern ceiling appearance of buildings. The sensor with the sense for good air. The BT IPD interface has an additional noise level measurement. The BT IPD interface has an additional noise level measurement. In addition to the risk of infection, information is provided on comfort and dew point. Equipped with the latest Bluetooth Mesh Connect standard.

## Technical specifications

Dimensions (L x W x H)	45 x 142 x 142 mm	IP-rating	IP20
With motion detector	No	Ambient temperature	0 – 50 °C
Manufacturer's Warranty	5 years	Material	Plastic
Settings via	Smartphone, Tablet, Connect Bluetooth Mesh	Mains power supply	50 – 60 Hz
With remote control	No	Technology, sensors	CO2, Noise level, Air pressure, Air humidity, Light sensor, Temperature, VOC
Version	BT IPD - surface	Mounting height	2 – 12 m
PU1, EAN	4007841084257	Mounting height max.	12,00 m
Type	Other	Optimum mounting height	2,8 m
Application, place	Indoors	Twilight setting	2 – 2000 lx
Application, room	open-plan office, hotel room, classroom, conference room / meeting room	Main light adjustable	Yes
Colour	white	Twilight setting TEACH	Yes
Includes corner wall mount	No	Constant-lighting control	No
Installation site	ceiling	Interconnection	Yes
		Interconnection via	Bluetooth Mesh Connect

# Multisensor Air

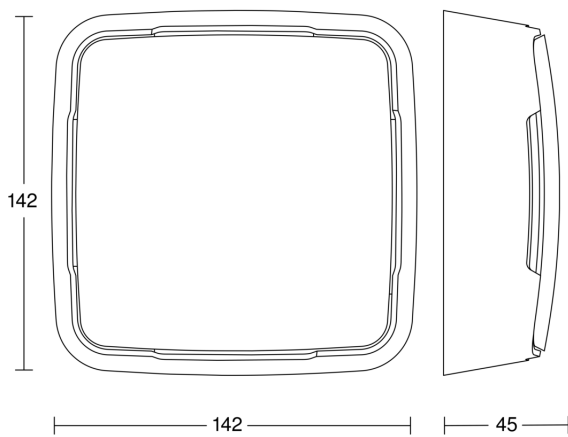
BT IPD - surface  
EAN 4007841 084257  
Article number 084257

## Technical specifications

Installation

Surface wiring

## Dimension Drawing



## Circuit diagram

